

Adjustable Levelers — Heavy Duty



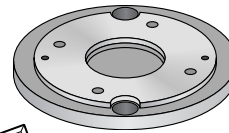
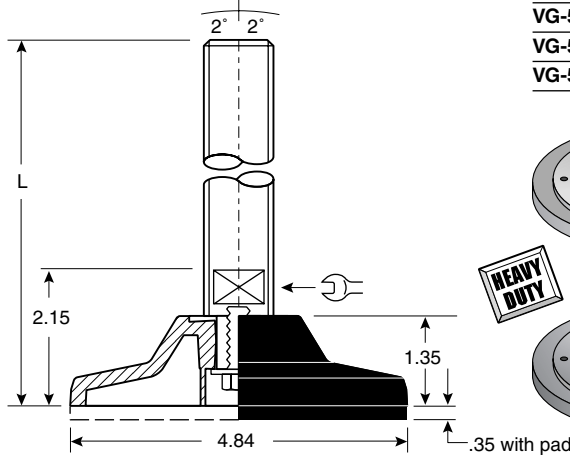
517-K

Support Leveler
Machinery Support

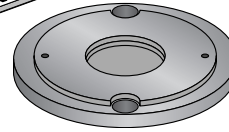
Maximum Recommended Static Load: 7000 lbs.
Includes 2:1 safety factor.

Base Material: Reinforced polyamide

Part Number	Stem Thread	Stem Material		"L" Dim
		Zinc	Stainless	
VG-517-01-P34-L7K	3/4-10	P		7.50"
VG-517-01-S34-L7K	3/4-10		S	7.50"
VG-517-01-P100-L7K	1-8	P		7.48"
VG-517-01-S100-L7K	1-8		S	7.48"
VG-517-01-P113-L7K	1 1/8-7	P		7.48"
VG-517-01-S113-L7K	1 1/8-7		S	7.48"
VG-517-01-P125-L7K	1 1/4-7	P		7.48"
VG-517-01-S125-L7K	1 1/4-7		S	7.48"
VG-517-01-PM20-L7K	M20	P		7.48"
VG-517-01-SM20-L7K	M20		S	7.48"
VG-517-01-PM24-L7K	M24	P		7.48"
VG-517-01-SM24-L7K	M24		S	7.48"



VG-514 Vibration Pad
Neoprene rubber with steel plate for even weight distribution. Sold separately. See page 212. Max. load: 7000 lbs.



VG-514N Vibration Pad
Neoprene rubber for even weight distribution. Sold separately. See page 212. Max. load: 2600 lbs.



520

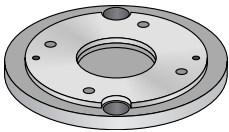
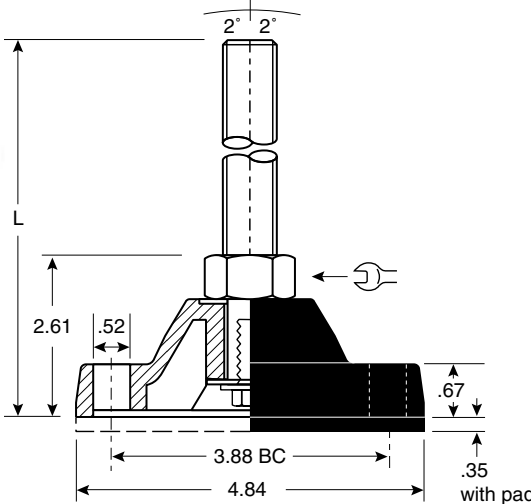


Support Leveler
Machinery Support with adjusting nut welded to stem.

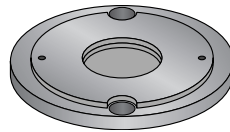
Maximum Recommended Static Load: 7000 lbs.
Includes 2:1 safety factor.

Base Material: Reinforced polyamide

Part Number	Stem Thread	Stem Material		"L" Dim
		Zinc	Stainless	
VG-520-02-P34-L5	3/4-10	P		5.97"
VG-520-02-S34-L5	3/4-10		S	5.97"
VG-520-02-P34-L7	3/4-10	P		7.48"
VG-520-02-S34-L7	3/4-10		S	7.48"
VG-520-02-P34-L10	3/4-10	P		10.07"
VG-520-02-S34-L10	3/4-10		S	10.07"
VG-520-02-P100-L7	1-8	P		7.48"
VG-520-02-S100-L7	1-8		S	7.48"
VG-520-02-P100-L10	1-8	P		10.07"
VG-520-02-S100-L10	1-8		S	10.07"
VG-520-02-PM20-L5	M20	P		5.97"
VG-520-02-SM20-L5	M20		S	5.97"
VG-520-02-PM20-L7	M20	P		7.48"
VG-520-02-SM20-L7	M20		S	7.48"
VG-520-02-PM20-L10	M20	P		10.07"
VG-520-02-SM20-L10	M20		S	10.07"
VG-520-02-PM24-L7	M24	P		7.48"
VG-520-02-SM24-L7	M24		S	7.48"
VG-520-02-PM24-L10	M24	P		10.07"
VG-520-02-SM24-L10	M24		S	10.07"



VG-514 Vibration Pad
Neoprene rubber with steel plate for even weight distribution. Sold separately. See page 212. Max. load: 7000 lbs.



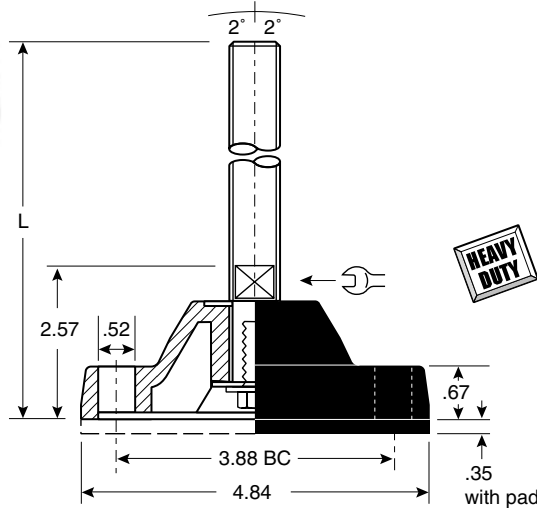
VG-514N Vibration Pad
Neoprene rubber for even weight distribution. Sold separately. See page 212. Max. load: 2600 lbs.



520-K

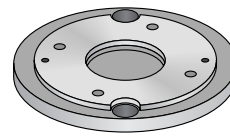
Support Leveler Machinery Support

Maximum Recommended Static Load: 7000 lbs.
Includes 2:1 safety factor.



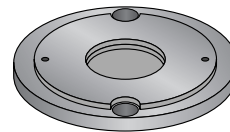
Base Material: Reinforced polyamide

Part Number	Stem Thread	Stem Material		"L" Dim
		Zinc	Stainless	
VG-520-02-P34-L7K	3/4-10	P		7.50"
VG-520-02-S34-L7K	3/4-10		S	7.50"
VG-520-02-P100-L7K	1-8	P		7.50"
VG-520-02-S100-L7K	1-8		S	7.50"
VG-520-02-P113-L7K	1 1/8-7	P		7.50"
VG-520-02-S113-L7K	1 1/8-7		S	7.50"
VG-520-02-P125-L7K	1 1/4-7	P		7.50"
VG-520-02-S125-L7K	1 1/4-7		S	7.50"
VG-520-02-PM20-L7K	M20	P		7.50"
VG-520-02-SM20-L7K	M20		S	7.50"
VG-520-02-PM24-L7K	M24	P		7.50"
VG-520-02-SM24-L7K	M24		S	7.50"



VG-514 Vibration Pad

Neoprene rubber with steel plate for even weight distribution. Sold separately. See page 212. Max. load: 7000 lbs.



VG-514N Vibration Pad

Neoprene rubber for even weight distribution. Sold separately. See page 212. Max. load: 2600 lbs.



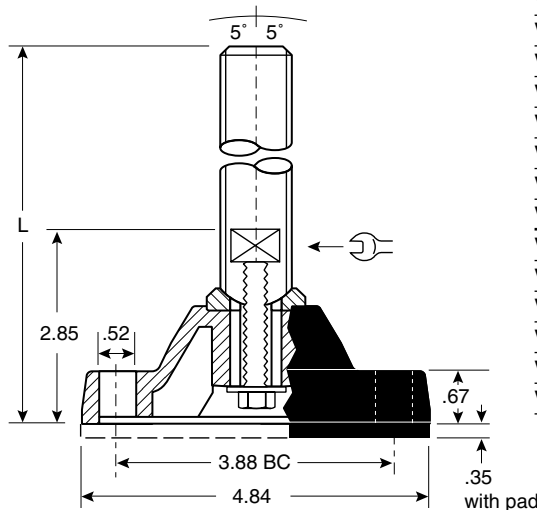
Loc-A-Lign™
Base is bolted to threaded stem.

520-T

Loc-A-Lign™ Series Articulating Leveler

Conveyor and machinery support where resistance to stem pull-out is required.

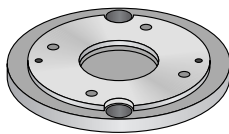
Maximum Recommended Static Load: 7000 lbs.
Includes 2:1 safety factor.



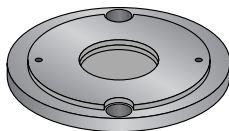
Base Material: Reinforced polyamide

Loc-A-Lign fastener: Stainless steel or zinc plated

Part Number	Stem Thread	Stem Material		"L" Dim
		Zinc	Stainless	
VG-520-02-P100-L7T	1-8	P		7.45"
VG-520-02-S100-L7T	1-8		S	7.45"
VG-520-02-P100-L10T	1-8	P		9.95"
VG-520-02-S100-L10T	1-8		S	9.95"
VG-520-02-P100-L12T	1-8	P		11.95"
VG-520-02-S100-L12T	1-8		S	11.95"
VG-520-02-P113-L7T	1 1/8-7	P		7.45"
VG-520-02-S113-L7T	1 1/8-7		S	7.45"
VG-520-02-P113-L10T	1 1/8-7	P		9.95"
VG-520-02-S113-L10T	1 1/8-7		S	9.95"
VG-520-02-P113-L12T	1 1/8-7	P		11.95"
VG-520-02-S113-L12T	1 1/8-7		S	11.95"
VG-520-02-P125-L7T	1 1/4-7	P		7.45"
VG-520-02-S125-L7T	1 1/4-7		S	7.45"
VG-520-02-P125-L10T	1 1/4-7	P		9.95"
VG-520-02-S125-L10T	1 1/4-7		S	9.95"
VG-520-02-P125-L12T	1 1/4-7	P		11.95"
VG-520-02-S125-L12T	1 1/4-7		S	11.95"
VG-520-02-PM24-L7T	M24	P		7.45"
VG-520-02-SM24-L7T	M24		S	7.45"
VG-520-02-PM24-L10T	M24	P		9.95"
VG-520-02-SM24-L10T	M24		S	9.95"
VG-520-02-PM24-L12T	M24	P		11.95"
VG-520-02-SM24-L12T	M24		S	11.95"



VG-514 Vibration Pad



VG-514N Vibration Pad